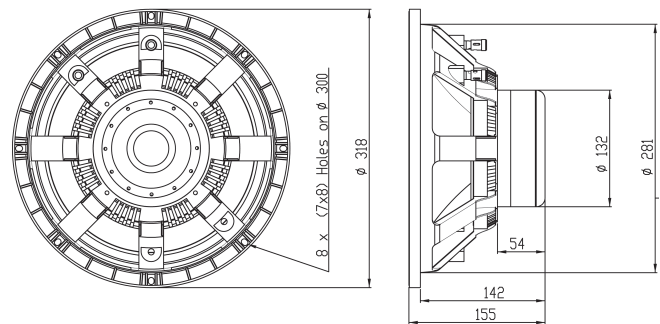


### Features:

- 100dB sensitivity 1W/1m
- 600W Power handling
- Extremely light weight of 5,5kg
- 4" copper sandwich voice coil for low power compression
- Double treated cone for water protection
- Neodymium magnet system
- Triple aluminum demodulating rings for ultra low distortion
- Optimal for compact 2-way and horn loaded systems

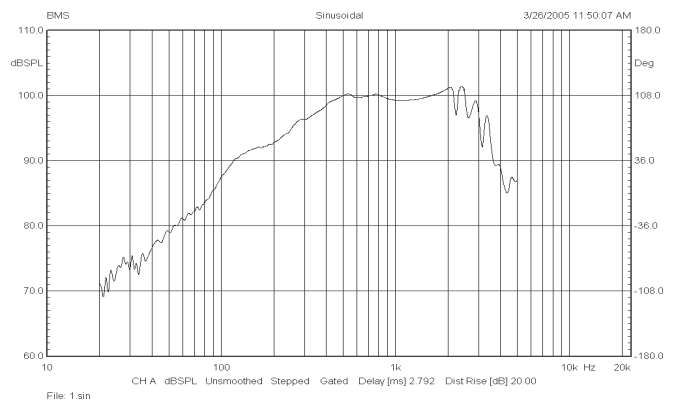
## SPECIFICATIONS

APPLICATION	Low-Middle	
Nominal impedance	Ohm	8
Power handling AES noise	W	600
Sensitivity ( 1W/1m )	dB	100
Frequency response	Hz	80 - 2000
Voive coil diameter	mm	101,6 (4")
Voice coil material		Cu
Voice coil winding depth	mm	15
Magnet gap depth	mm	10
Basket		Cast Aluminum
Effect. diaphragm diameter D	mm	260



THIELE - SMALL PARAMETERS			
Resonance frequency	Fs	Hz	40.7
DC resistance	Re	Ohm	5.8
Mechanical Q factor	Qms		5.1
Electrical Q factor	Qes		0.17
Total Quality factor	Qts		0.16
Equivalent volume	Vas	L	89.6
Moving mass	Mms	kg	0.068
Mechanical compl.	Cms	mm/N	0.23
BL factor	BL	Tesla m	24.5
Effective piston area	Sd	m <sup>2</sup>	0.0531
Max. linear excursion	Xmax	mm	± 2.5
Voice coil inductance	Le1k	mH	0.76
	Le10k	mH	0.53

Frequency response measured 1W (2.38V) at 1m in a closed enclosure of 50 litre.



MOUNTING INFORMATION		
Overall diameter	mm	318
Mounting holes diameter	mm	8 x (7 x 8)
Bolt circle diameter	mm	300
Baffle cut-out diameter	mm	284
Overall depth	mm	155
Net weight	kg	5.5

### Recommended reflex enclosure:

7L/90Hz, -3dB=118Hz, BRD=60mm/90mm long

15L/77Hz, -3dB=84Hz, BRD=70mm/65mm long

