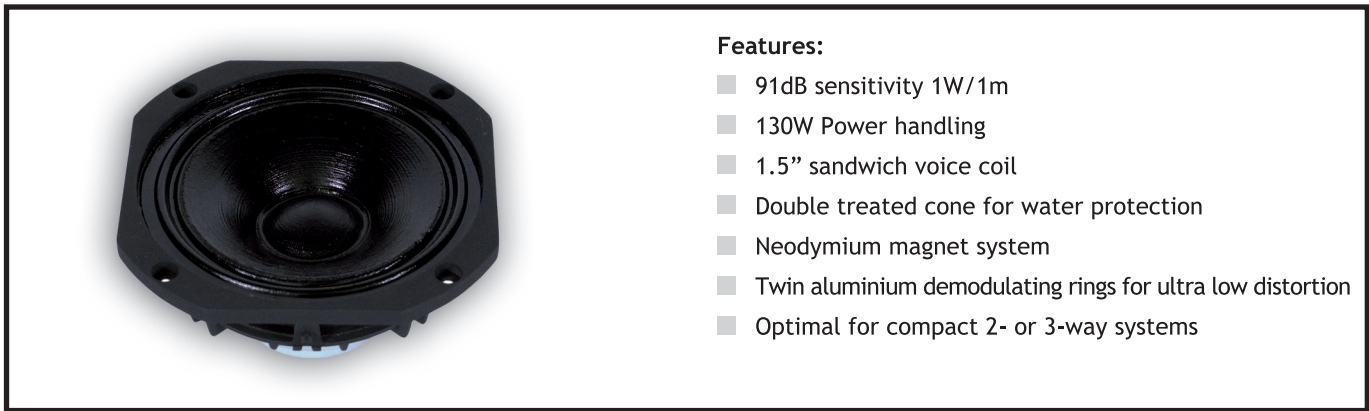


5N155

Neodymium Ultra Low Distortion Low Midrange Driver

Neodymium series

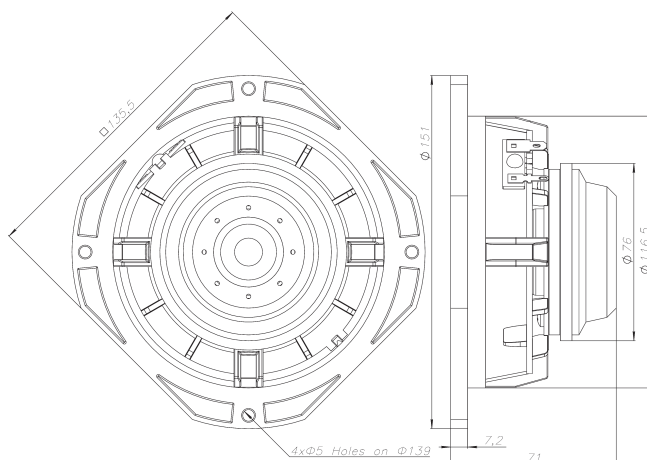


Features:

- 91dB sensitivity 1W/1m
- 130W Power handling
- 1.5" sandwich voice coil
- Double treated cone for water protection
- Neodymium magnet system
- Twin aluminium demodulating rings for ultra low distortion
- Optimal for compact 2- or 3-way systems

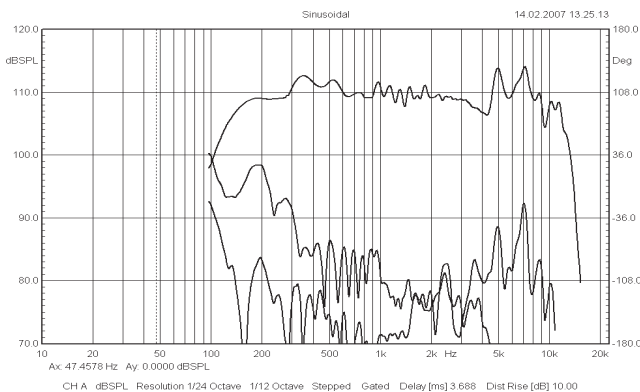
SPECIFICATIONS

APPLICATION	Low-Middle	
Nominal impedance	Ohm	16
Power handling AES noise	W	130
Sensitivity (1W/1m)	dB	91
Frequency response	Hz	80 - 4000
Voive coil diameter	mm	38 (1.5")
Voice coil material		Cu
Voice coil winding depth	mm	15
Magnet gap depth	mm	5
Basket		Cast Aluminum
Effect. diaphragm diameter D	mm	105



THIELE - SMALL PARAMETERS			
Resonance frequency	Fs	Hz	100.6
DC resistance	Re	Ohm	11.65
Mechanical Q factor	Qms		4.17
Electrical Q factor	Qes		0.49
Total Quality factor	Qts		0.44
Equivalent volume	Vas	L	2.63
Moving mass	Mms	kg	0.0096
Mechanical compl.	Cms	mm/N	0.26
BL factor	BL	Tesla m	12
Effective piston area	Sd	m ²	0.0085
Max. linear excursion	Xmax	mm	± 5
Voice coil inductance	Le1k	mH	0.51 (4 Ohm)
	Le10k	mH	0.36 (4 Ohm)

Frequency response measured 100W (28.3V) at 1m in a closed enclosure of 10 litre incl. 2nd and 3rd harmonic distortion raised 10dB.



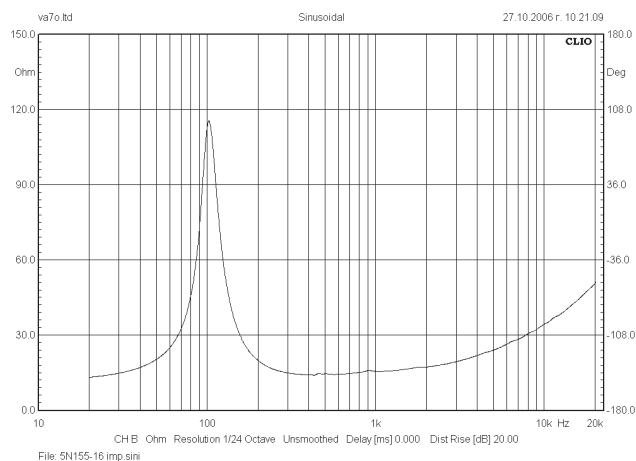
MOUNTING INFORMATION		
Overall diameter	mm	135 x 135
Mounting holes diameter	mm	4 x 5.3
Bolt circle diameter	mm	139
Baffle cut-out diameter	mm	117
Overall depth	mm	71
Net weight	kg	0.85

Recommended reflex enclosure:

3.5L/91.5Hz, BRD=40mm/93mm long

Closed enclosure 1 / 4 Litre

Impedance - 16 Ohm driver



Neodymium Cone Drivers